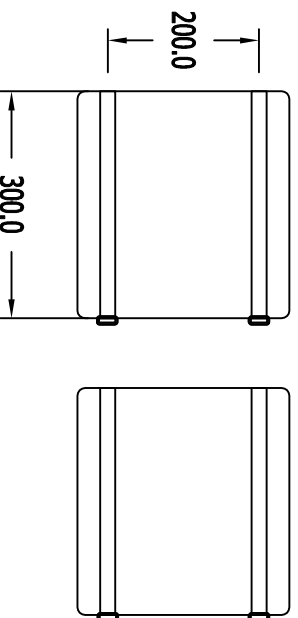


Foam Pad Preparation for install of CabCargo

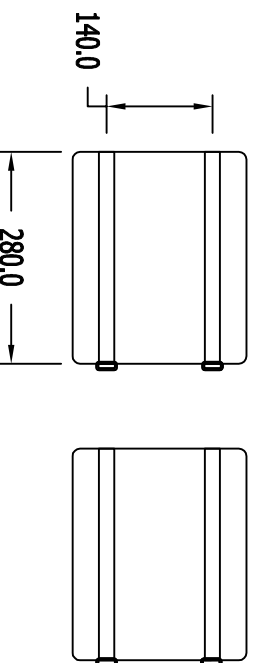
2 x Foam- Seat-pads 300 x 280mm

Velcro positioning 200mm c/c



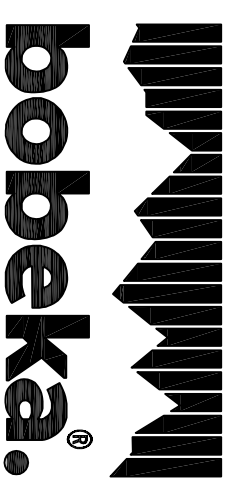
2 x Foam- Seat-pads 280 x 230mm

Velcro positioning 140mm c/c

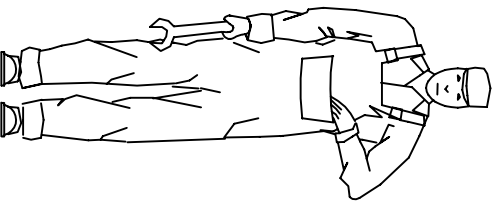


1. Attach a buckle to 8 x Velcro Straps by folding approximately 5cm over at one end.
2. Wrap 2 longer straps/pads around larger pads along the longer length 300mm. Let the buckle sit on the short edges and strap "overlap" cover one long face, this is to protect the seat from any Velcro touching the seat surface.
3. Wrap 2 shorter straps/pad around smaller seat pads along the longer length 280mm dimension. Let the buckle sit on the short edges and let strap "overlap" cover one long face, this is to protect the seat from any Velcro touching the seat surface
4. Stick/attached with Velcro 2 smaller foam pads to ply-pads align dimension 280 x 230mm
5. Stick/attach with Velcro 2 Larger foam pads to the back side of back boards, aligning the Velcro straps with the straps fixed on the back board.

CA13C-AR150 Installation Instructions

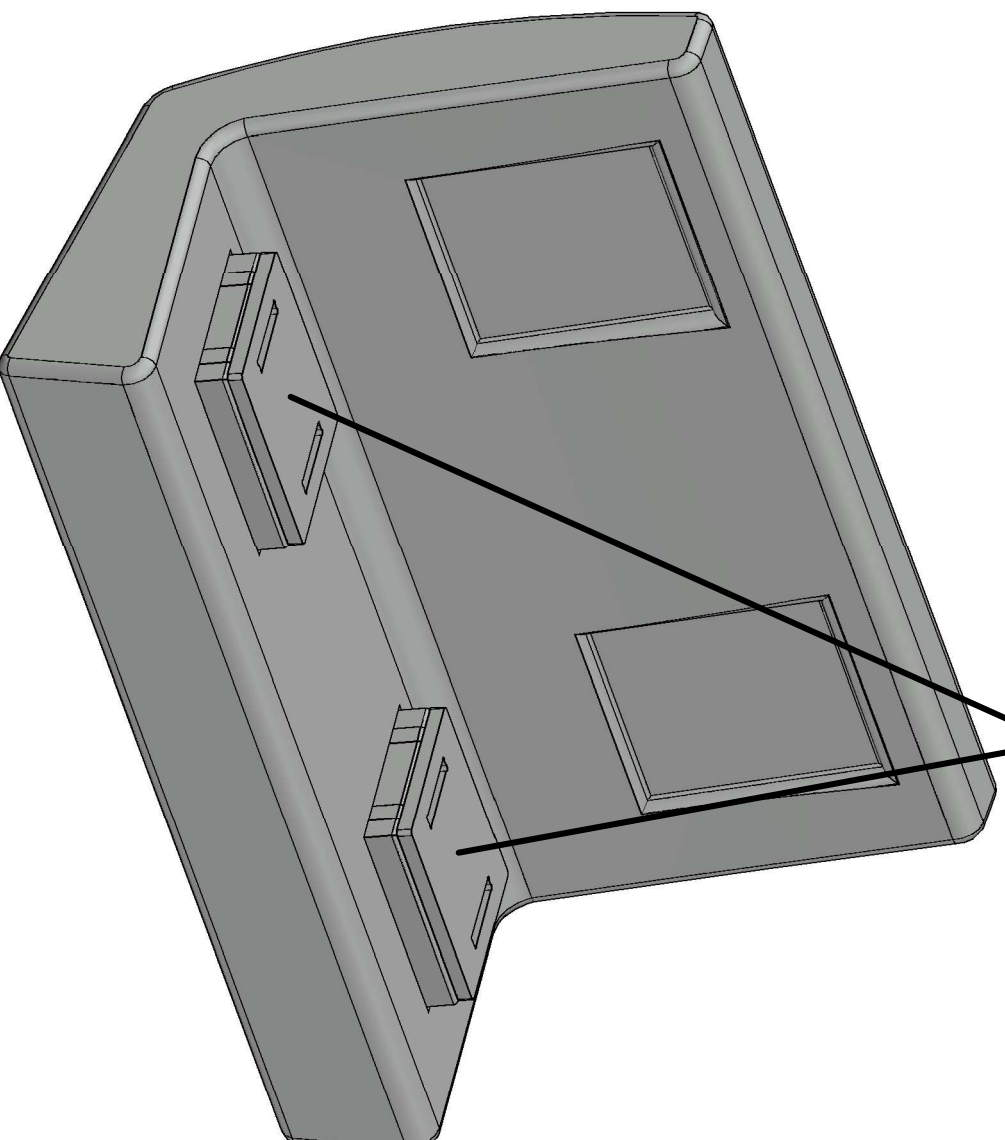
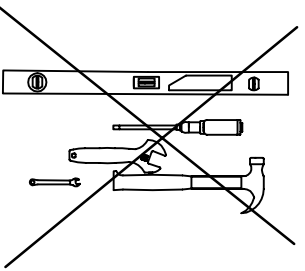


1. Place Seat-Foam-Pads with Ply-pads attached, On the spot of the depressed seat cushions. Make sure the slots in the plywood is along the vehicle.

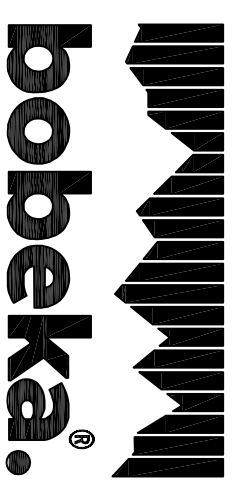


One person needed

NO tools needed

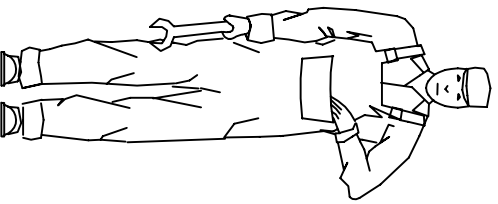


CA13CA1R150 Installation Instructions

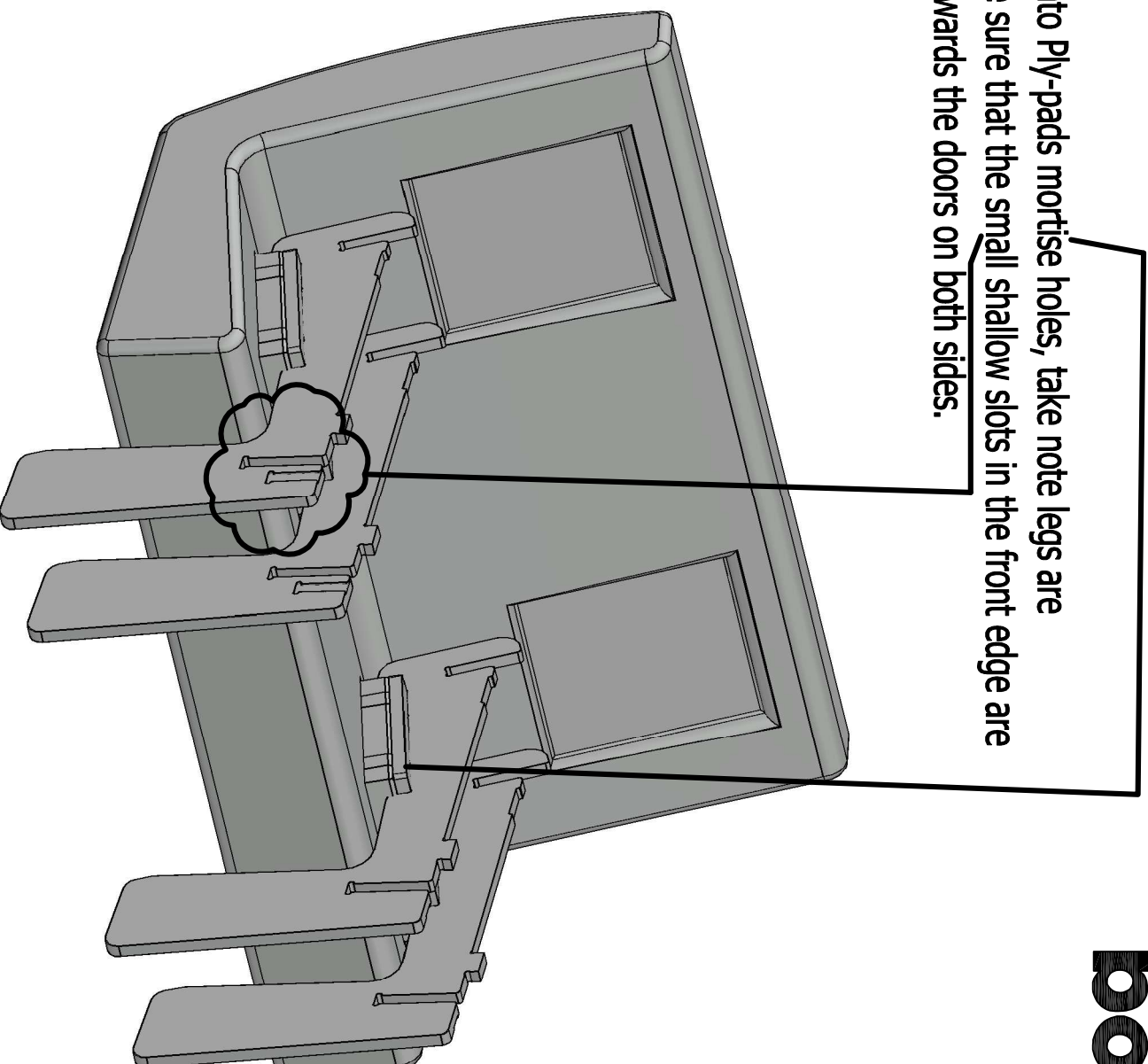
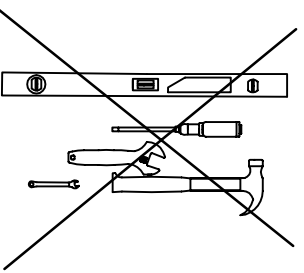


2. Place the 4 legs into Ply-pads mortise holes, take note legs are are handed, make sure that the small shallow slots in the front edge are facing outward towards the doors on both sides.

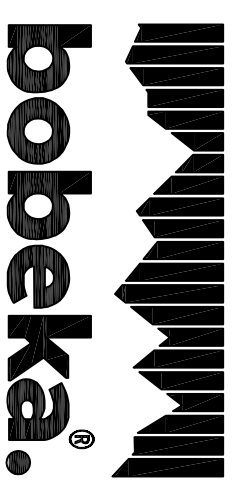
One person needed



NO tools needed

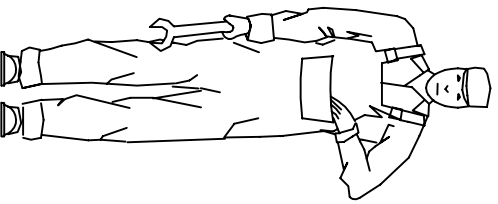


CA13CA1R150 Installation Instructions

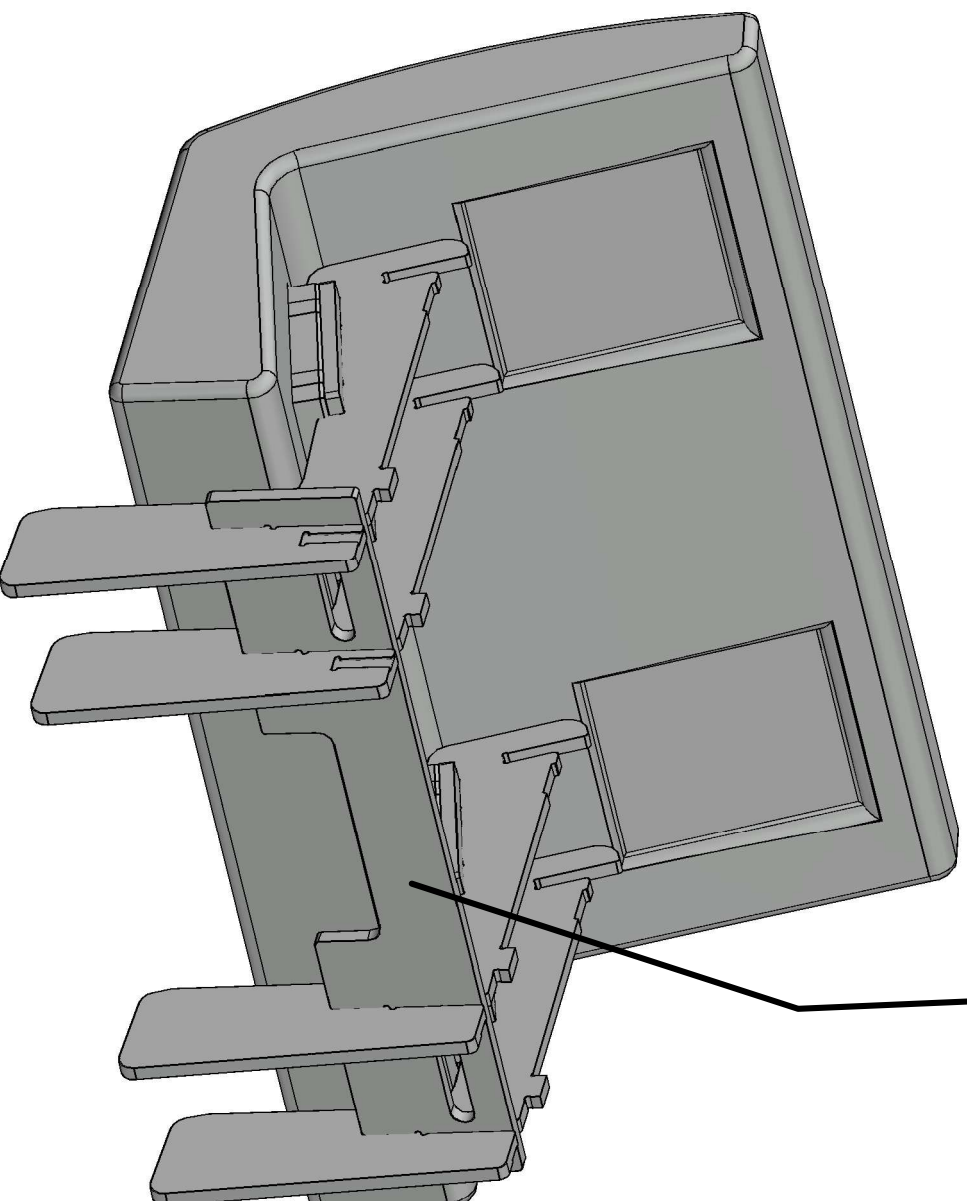
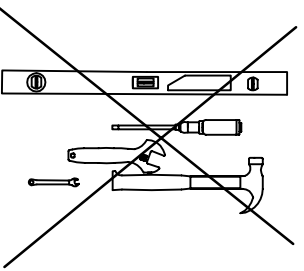


3. Slot the leg-brace into the 4 legs using the deep slots in the front edge of the legs, it will require some alignment left to right with the leg pairs. No strong force is needed just some wiggling.

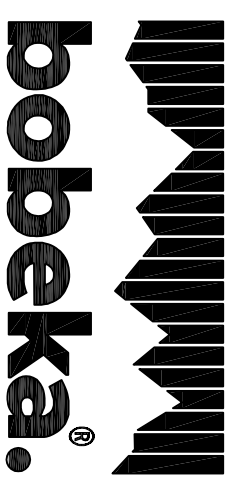
One person needed



NO tools needed

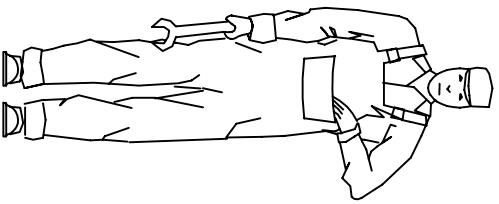


CA13CA1R150 Installation Instructions

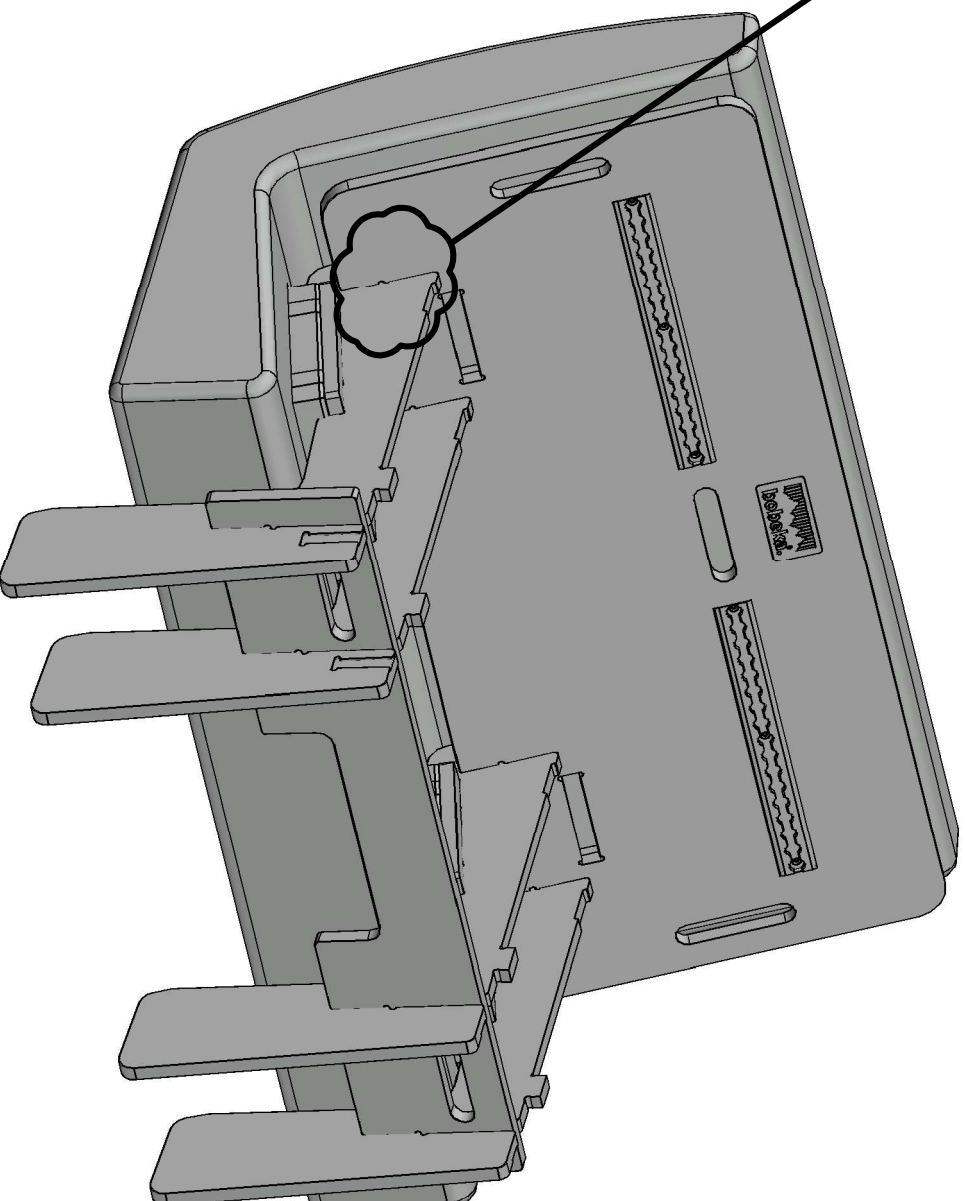
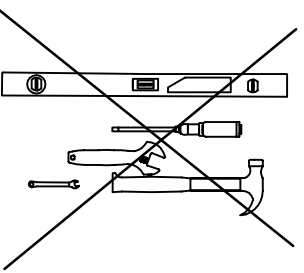


4. Lift the back board with the attached back cushions and drop it into slots in the legs. again a small alignment adjustment might be needed, but no strong force.

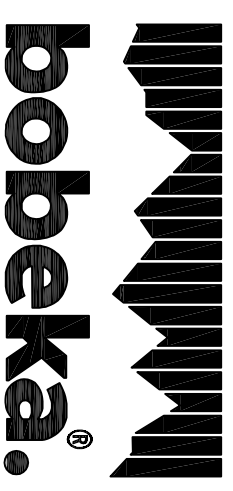
One person needed



NO tools needed

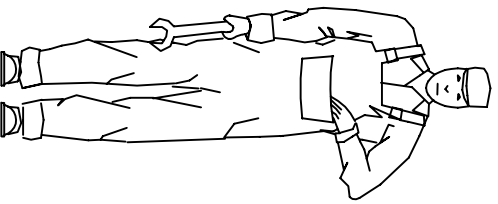


CA13CA1R150 Installation Instructions

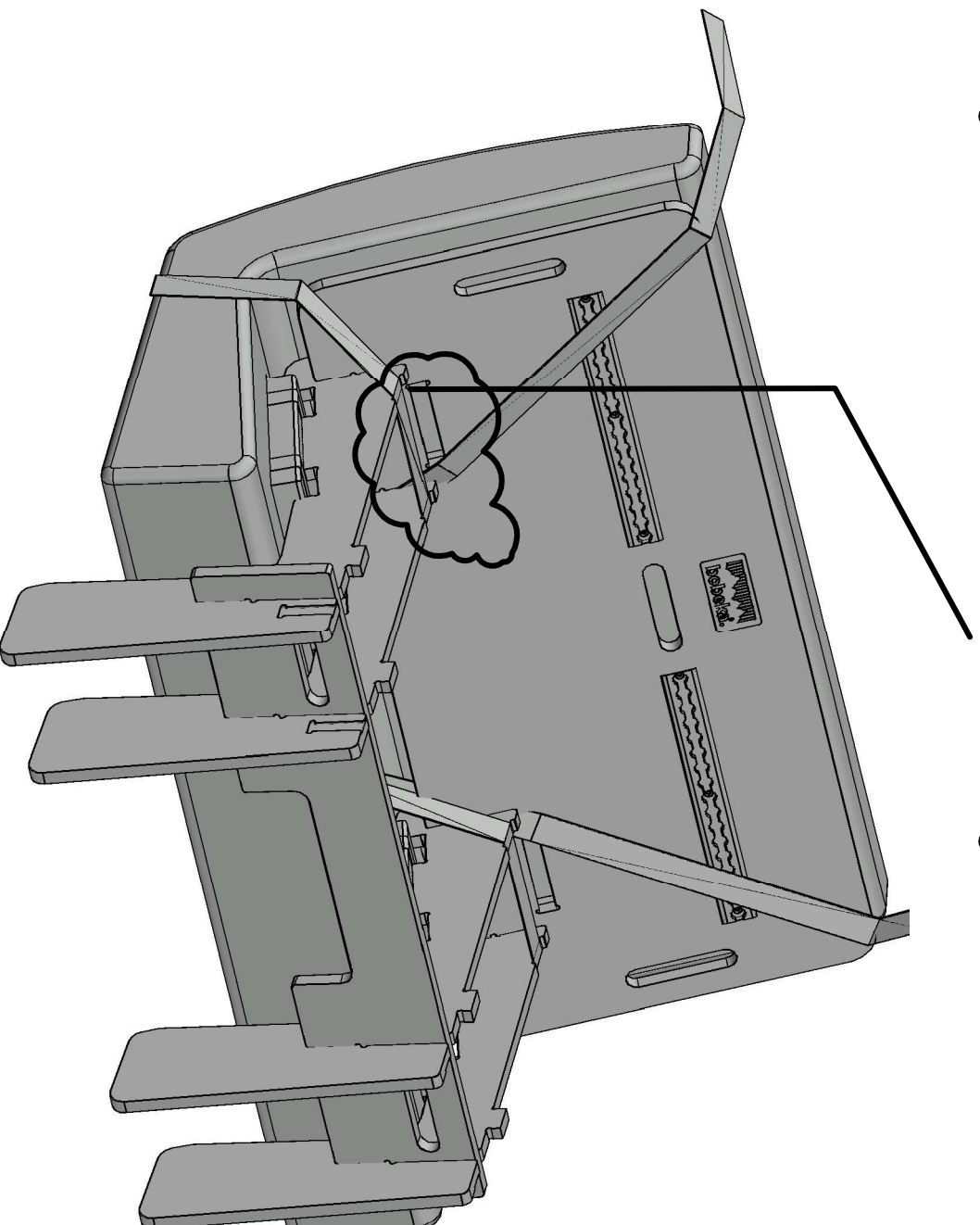
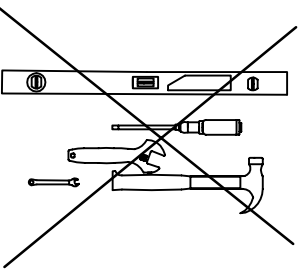


5. If you feel the need to secure the Cabcargo this is the time to clip the seatbelts on. Wrap on the face of back board and clip in between the leg pairs left and right. Make sure the belt runs in the indent in the legs.

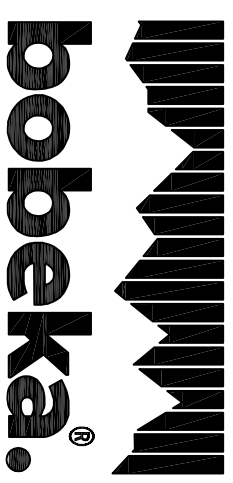
One person needed



NO tools needed

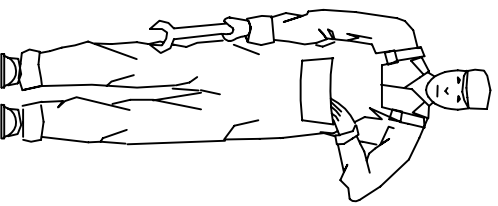


CA13CA1R150 Installation Instructions

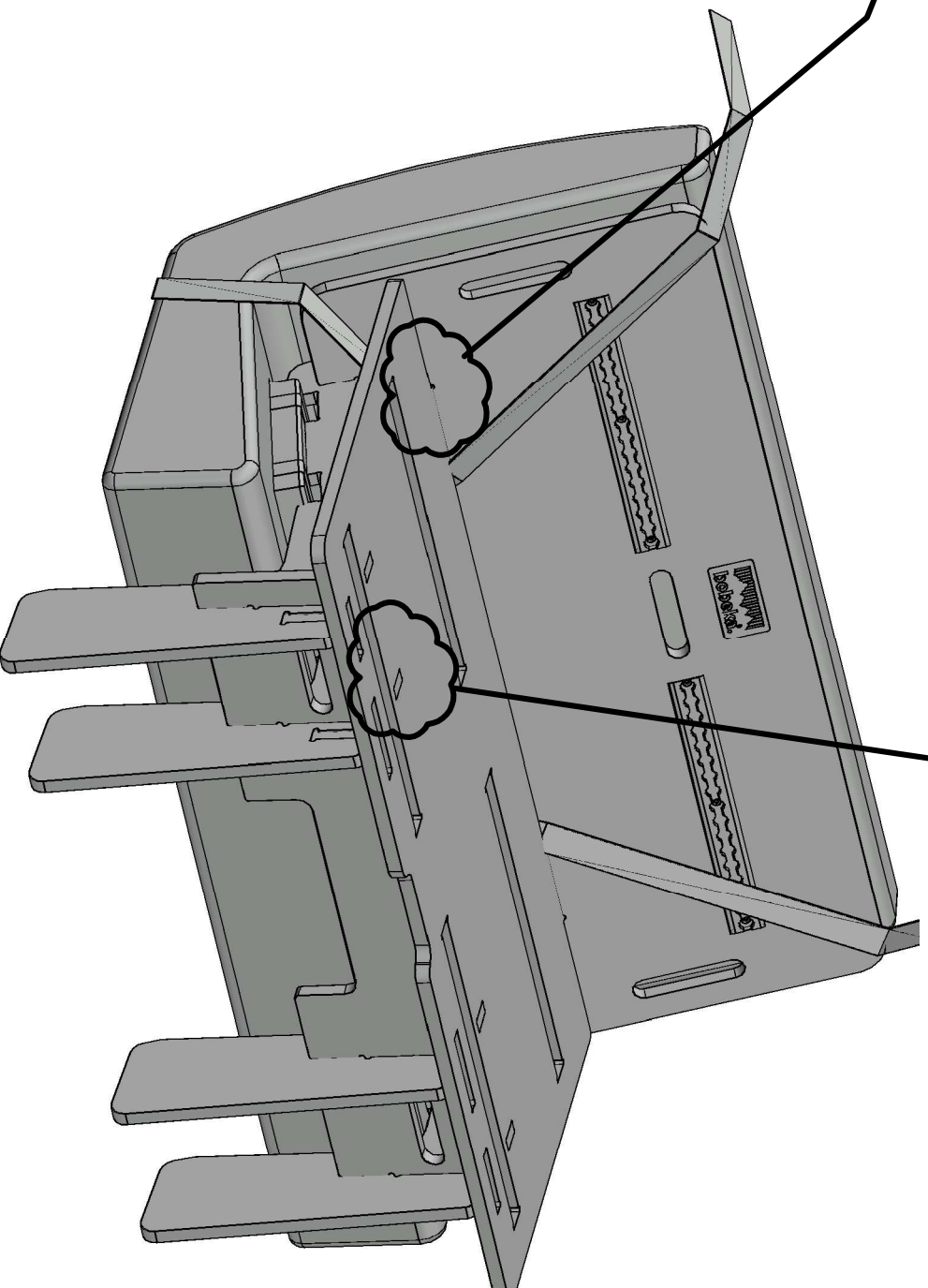
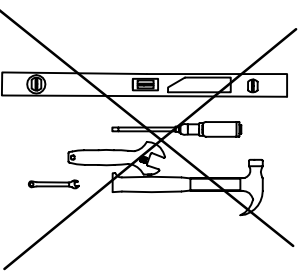


6. Lift in Load-board, angle the load-board slightly by lifting the front edge. Slot in the tenons of the load-board into the mortise holes in the back board. The load-board should drop down and align with small tenons on top of legs and sit level.

One person needed



NO tools needed

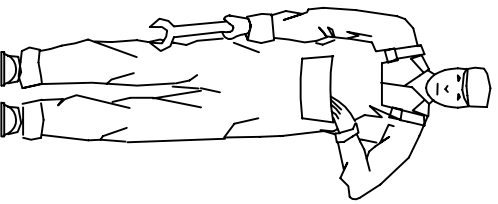


CAUTION Installation Instructions

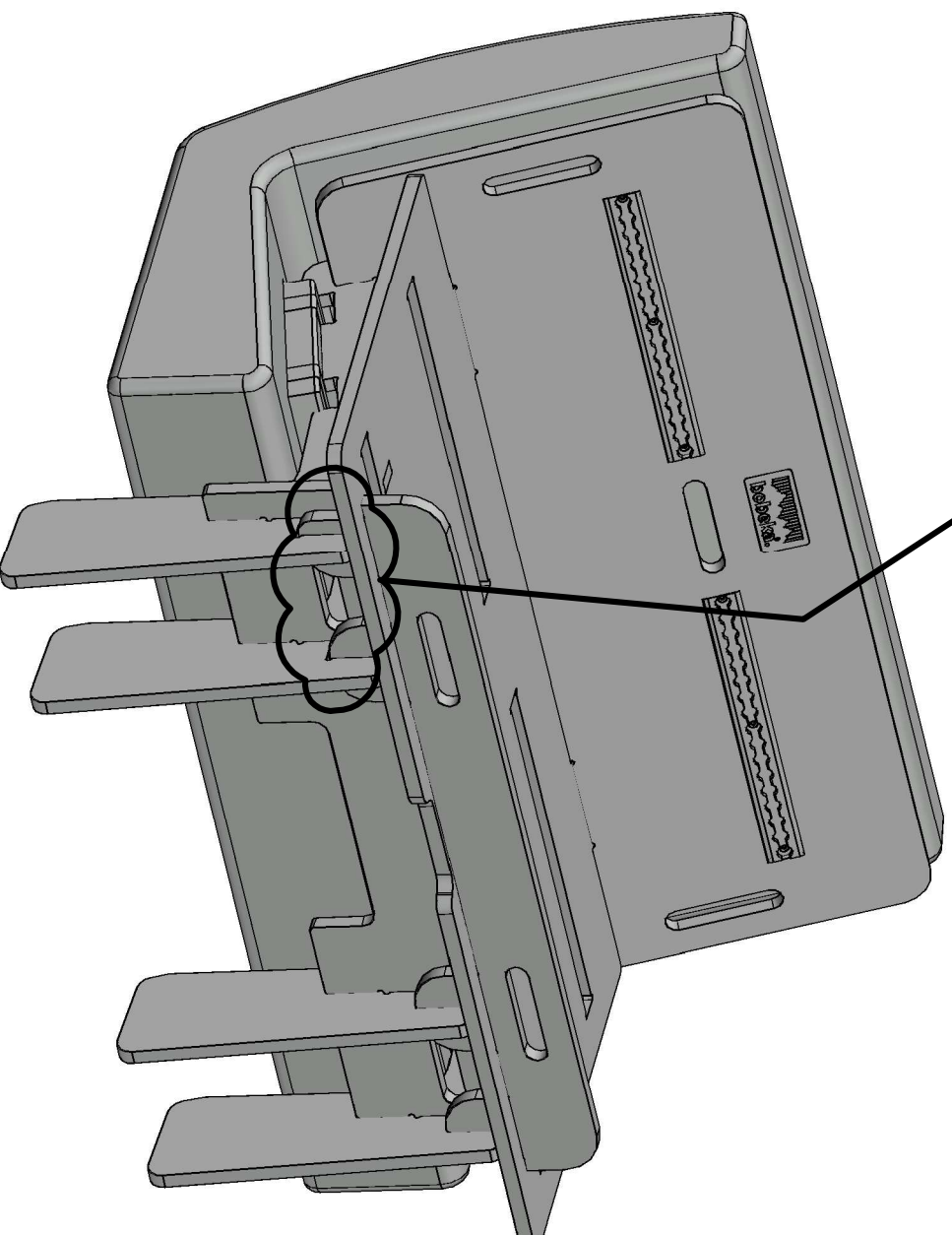
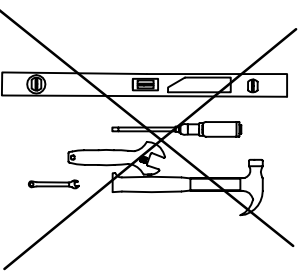
7. Finally drop in the load barrier through the mortise slots in the load-board front edge. Again a small wiggle might be needed but no strong force.

If the board does not slip in, please check that the legs are placed correctly, so that the short shallow mortise is facing outwards on both leg pairs. otherwise the load barrier will not align.

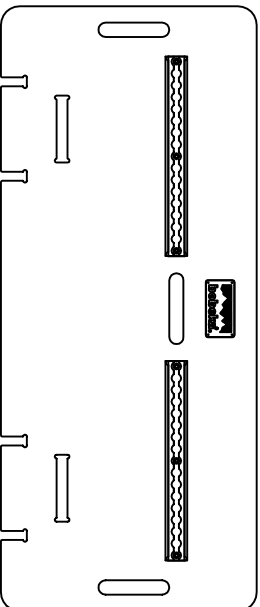
One person needed



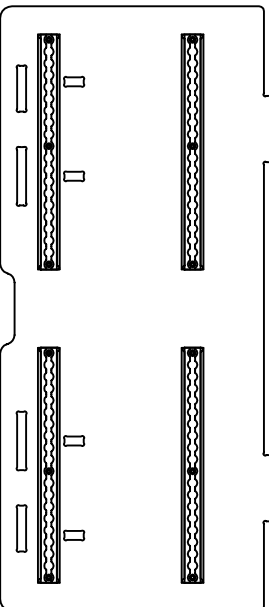
NO tools needed



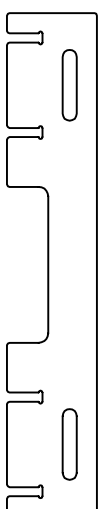
Back-board



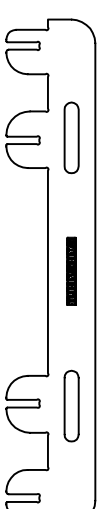
Load-board



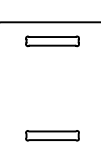
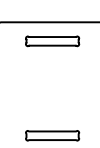
Leg- brace



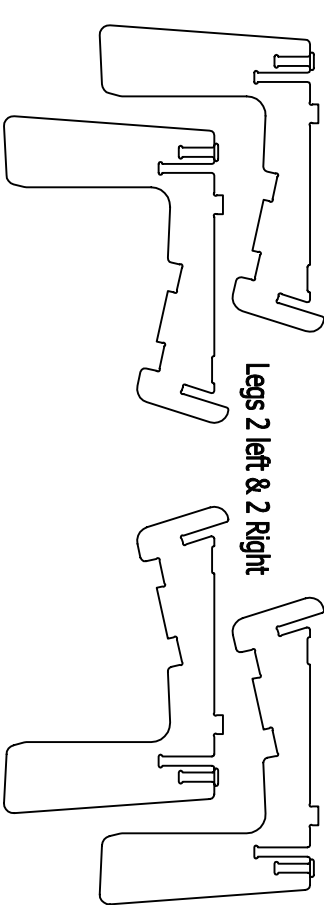
Load - barrier



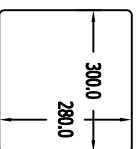
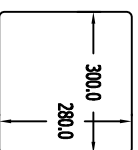
2 Seat-pads



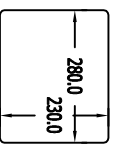
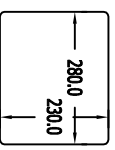
Legs 2 left & 2 Right



2 X Foam- Seat-pads 300 X 280mm



2 X Foam- Seat-pads 280 X 230mm



Velcro Straps 4 X 1050, 4 X 990 , 8 buckles

